

@lgood



Floor springs



9331

Commander floor spring and cover plate.

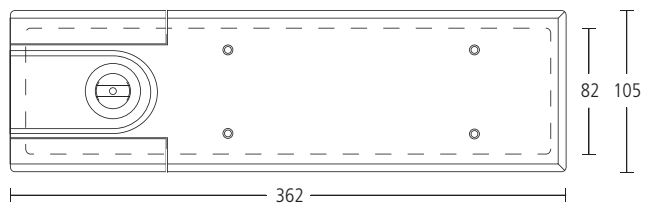
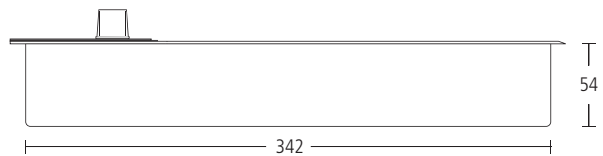
- Adjustable power (3-6)
- Adjustable closing speed
- Fixed backcheck operational from 70°
- Maximum door weight: 300kg
- Independently tested to BS EN 1154
[3863114](#)
- CE marked 0672-CPD-0229/32
- Certifire approved CF731
- Incorporated in successful fire tests and assessed to BS EN 1634-1 and BS 476 Pt 22 up to 90 minutes on timber doors
- 10 year guarantee

Finishes: SS • PS

Options

- 9331SL Single action, left hand
- 9331SR Single action, right hand
- 9330D Double action

9330D has different dimensions to details below. Please refer to website for details.



Note:

9331 floor spring does not come with straps and top centres. Please specify the relevant accessories for your application (page 62-63).

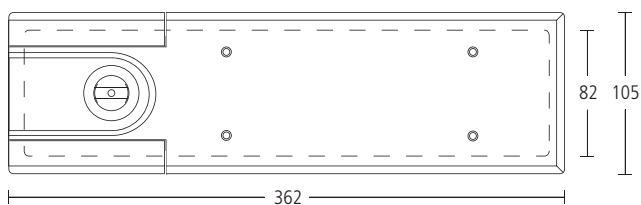
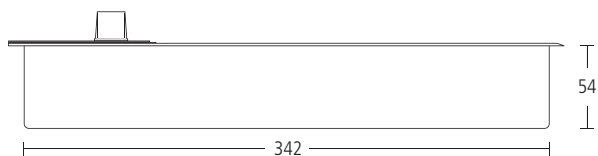


933150

Commander hold open floor spring and cover plate.

- Adjustable power (3-6)
- Adjustable closing speed
- Fixed backcheck operational from 70°
- Maximum door weight: 300kg
- Independently tested to BS EN 1154
3863114
- 10 year guarantee

Finishes: SS • PS



Note:

933150 floor spring does not come with straps and top centres. Please specify the relevant accessories for your application (page 62-63).

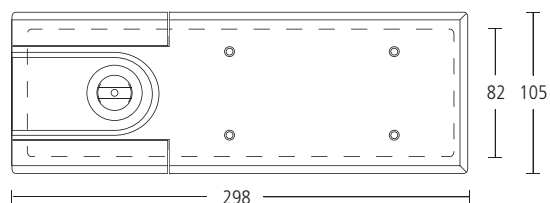
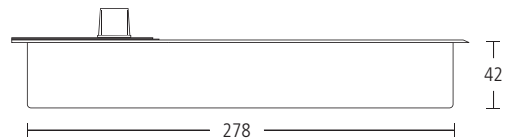


9347

Cavalier floor spring and cover plate.

- Adjustable power (1-4)
- Adjustable closing speed
- Maximum door weight: 150kg
- Fixed backcheck operational from 70°
- Hold open version available - specify 9347SO (non fire doors)
- To prevent water egress into the floor spring unit, specify XX9331XG sealing compound, which seals the floor spring into the floor box
- Independently tested to BS EN 1154
[38471114](#)
- CE marked 0672-CPD-0230
- Certifire approved CF731
- Incorporated in successful fire tests and assessed to BS EN 1634-1 and BS 476 Pt 22 up to 60 minutes on timber doors
- 10 year guarantee

Finishes: SS • PS



Note:

9347 floor spring does not come with straps and top centres. Please specify the relevant accessories for your application (page 62-63).



9531

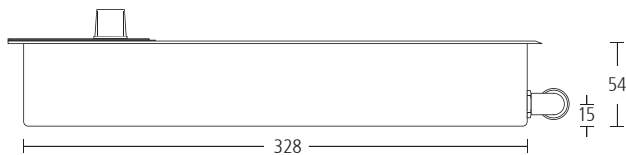
Commander electrohydraulic floor spring and cover plate.

- Electrohydraulic hold-open facility from 80° onwards
- 24V DC / 110ma
- Adjustable power (3-6)
- Adjustable closing speed
- Maximum door weight: 300kg
- Independently tested to BS EN 1155
386/3114
- CE marked 0672-CPD-0231/33
- Certifire approved CF731
- Incorporated in successful fire tests and assessed to BS EN 1634-1 and BS 476 Pt 22 up to 90 minutes on timber doors
- 10 year guarantee

Options

- 9531SL Single action, left hand
- 9531SR Single action, right hand
- 9531D Double action

Finishes: SS · PS



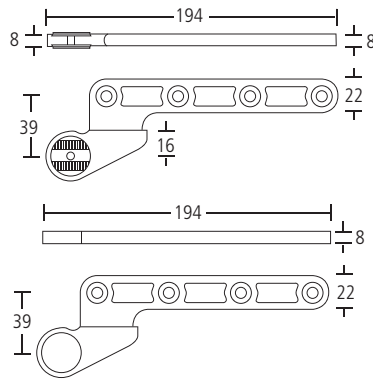
Note:

9531 floor spring does not come with straps and top centres. Please specify the relevant accessories for your application (page 62-63).



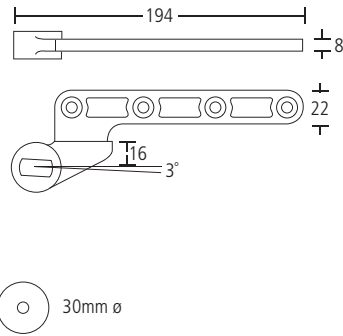
9331STC6

16mm single action offset top centre.
Finish: XX (Stainless steel)



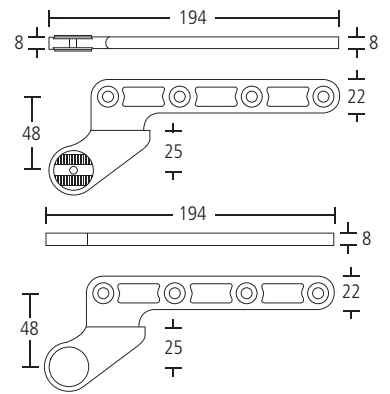
9331SBS6

16mm single action offset bottom strap.
Finish: XX (Stainless steel)



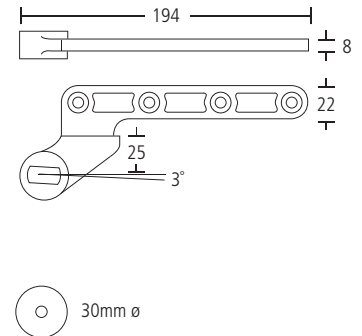
9331STC5

25mm single action offset top centre.
Finish: XX (Stainless steel)



9331SBS5

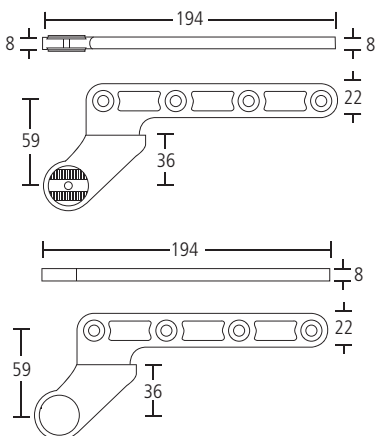
25mm single action offset bottom strap.
Finish: XX (Stainless steel)





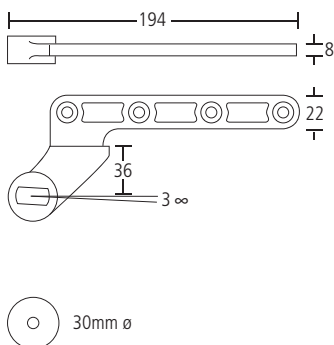
9331STC3

36mm single action offset top centre.
Finish: XX (Stainless steel)



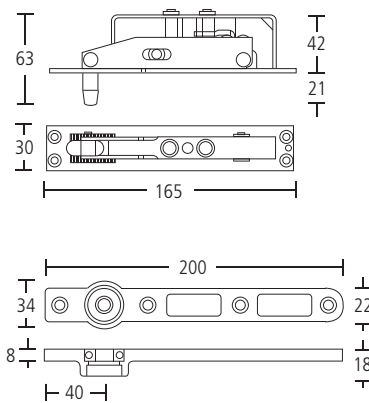
9331SBS3

36mm single action offset bottom strap.
Finish: XX (Stainless steel)



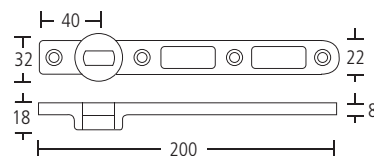
9331DTC

Double action top centre.
Finish: XX (Stainless steel)



9331DBS

Double action bottom strap.
Finish: XX (Stainless steel)



9331SP

Extension spindle for 9331, 9331SO, 9347 and 9531 floor springs to achieve clearance from finished floor level.

Depth	Full product No.	Clearance
10mm	XX9331SP10	18mm
20mm	XX9331SP20	28mm
30mm	XX9331SP30	38mm
40mm	XX9331SP40	48mm
50mm	XX9331SP50	58mm

Finish: XX

9331SFP

Intumescent pack for single action straps.
Finish: XX

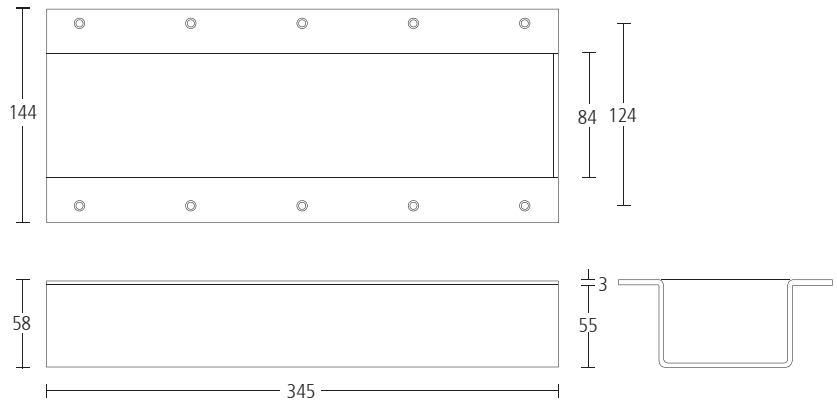
9331DFP

Intumescent pack for double action straps.
Finish: XX

9331CB

Coffin box for 9331 floor spring.

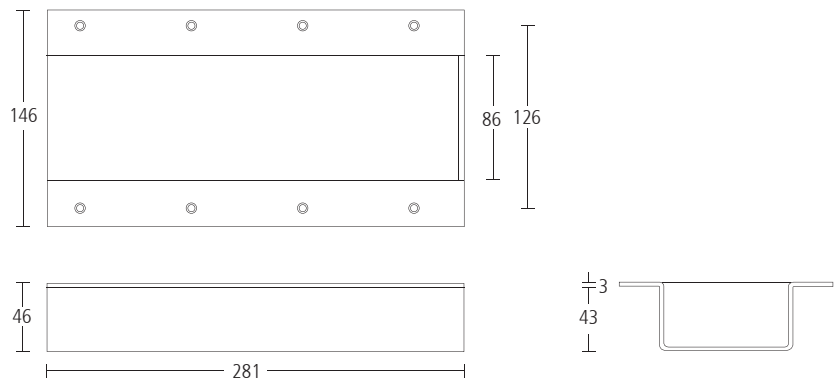
Finish: XX



9347CB

Coffin box for 9347 floor spring.

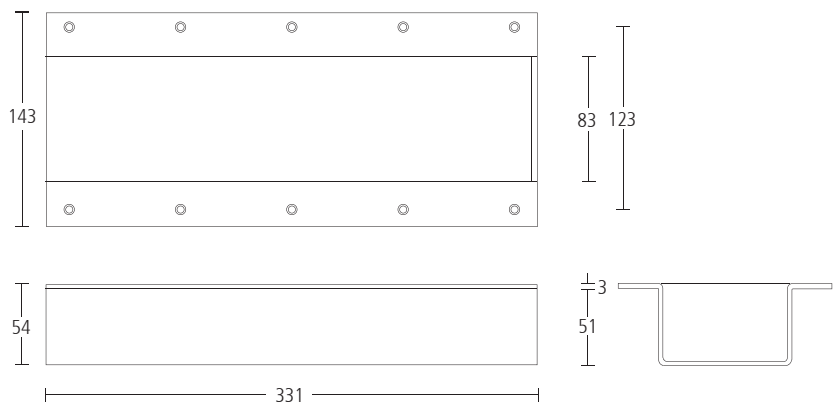
Finish: XX



9531CB

Coffin box for 9531 floor spring.

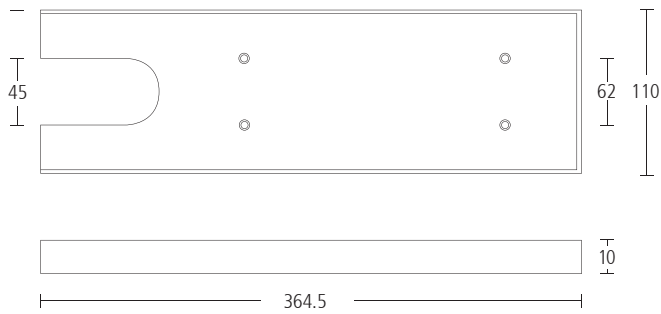
Finish: XX



9331CT10

Carpet tray for 9331 floor spring.

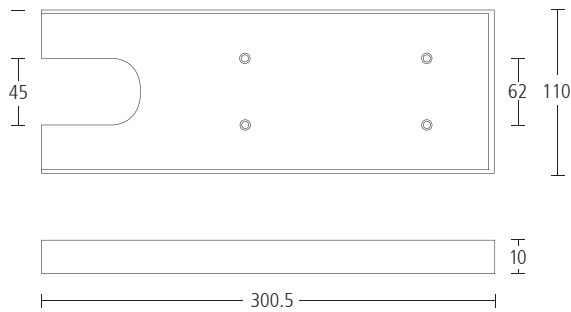
Finish: XX



9347CT10

Carpet tray for 9347 floor spring.

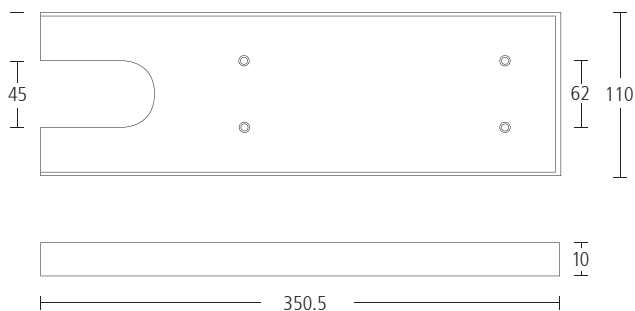
Finish: XX



9531CT10

Carpet tray for 9531 floor spring.

Finish: XX



9331CC

Cover plate for use with 9331CB coffin box.

Finish: XX

9347CC

Cover plate for use with 9347CB coffin box.

Finish: XX

9531CC

Cover plate for use with 9531CB coffin box.

Finish: XX

9331AK

Floor spring coffin box anchor kit.

Finish: XX



overseas projects

Allgood Worldwide

297 Euston Road
London NW1 3AQ
Telephone: +44 (0)20 7255 9330
Facsimile: +44 (0)20 7383 7950
E-mail: info@allgoodww.com
Website: www.allgoodww.com

uk projects

Allgood plc

297 Euston Road
London NW1 3AQ
Telephone: 020 7387 9951
Facsimile: 020 7380 1232
E-mail: info@allgood.co.uk
Website: www.allgood.co.uk

63-83 Brearley Street
Birmingham B19 3NT
Telephone: 0121 359 4415
Facsimile: 0121 359 5832
E-mail: info@allgood.co.uk
Website: www.allgood.co.uk

28 Queen Street
Manchester M2 5HX
Telephone: 0161 834 6717
Facsimile: 0161 834 6839
E-mail: info@allgood.co.uk
Website: www.allgood.co.uk

The Wright Business Centre
1 Lonmay Road, Glasgow G33 4EL
Telephone: 0141 773 6298
Facsimile: 0141 771 9569
E-mail: info@allgood.co.uk
Website: www.allgood.co.uk