

@lgood



Electromagnets and shearlocks

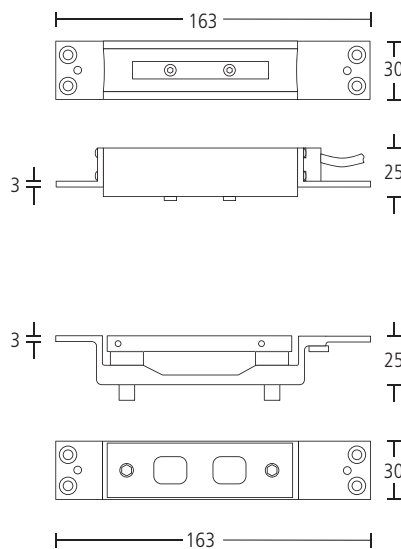


75580N

Mortice mini electromagnet shearlock with armature.

- 1000kg holding force
- BS EN 1634-1 for 60 minutes in 54mm thick doors and 30 minutes in 44mm thick doors
- For use in single action door applications
- Suitable for timber door and frame, metal door and frame or glass door with top rail and frame
- Dual 12/24v DC voltage
- Current draw @ 12/24v: current surge of 1.6 Amps reducing to 450mA at normal operation
- 120 minutes on metal doors

Finish: XX

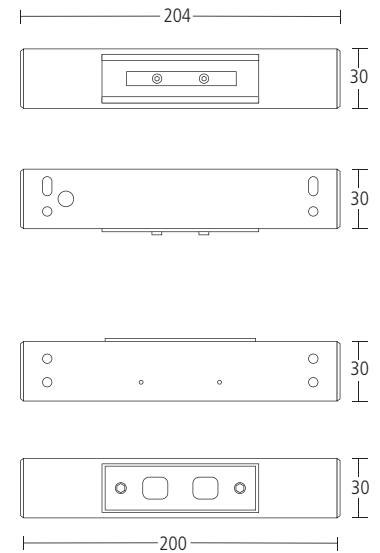


75581N

Surface mounted mini electromagnet shearlock with armature.

- 1000kg holding force
- BS EN 1634-1 for 60 minutes in 54mm thick doors and 30 minutes in 44mm thick doors
- For use in single action door applications
- Suitable for timber door and frame, metal door and frame or glass door with top rail and frame.
- Dual 12/24v DC voltage
- Current draw @ 12/24v: current surge of 1.6 Amps reducing to 450mA at normal operation
- 120 minutes on metal doors

Finish: XX



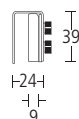
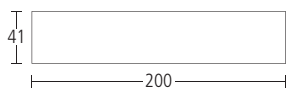


75582N

Glass door bracket to be used in conjunction with 75581 and 75583.

- To be used in single action door applications and on 10mm or 12mm thick doors
- One bracket required for each housing, i.e. one for door and one for transom if required
- Adhesive not supplied. Recommended adhesive is Loctite™ 317 adhesive with Loctite™ 734 activator

Finish: XX

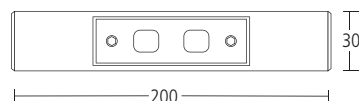
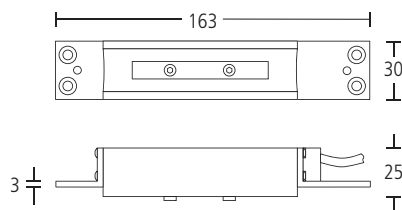


75583N

Semi-concealed mini electromagnet shearlock with armature.

- Consists of morticed magnet housing and surface mount armature
- 1000kg holding force
- BS EN 1634-1 for 60 minutes in 54mm thick doors and 30 minutes in 44mm thick doors
- For doors in recessed frame situations
- Suitable for timber door and frame, metal door and frame and glass doors in conjunction with the 75582 glass mounting bracket
- Dual 12/24v DC voltage
- Current draw @ 12/24v: current surge of 1.6 Amps reducing to 450mA at normal operation

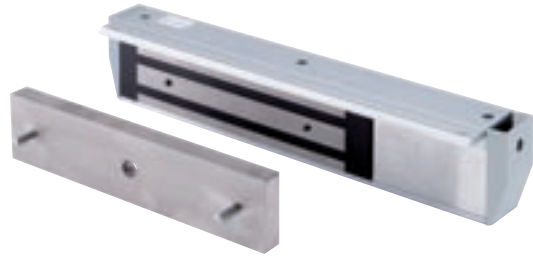
Finish: XX



75580FP

Intumescent pack to suit 75580N shearlock

Finish: XX

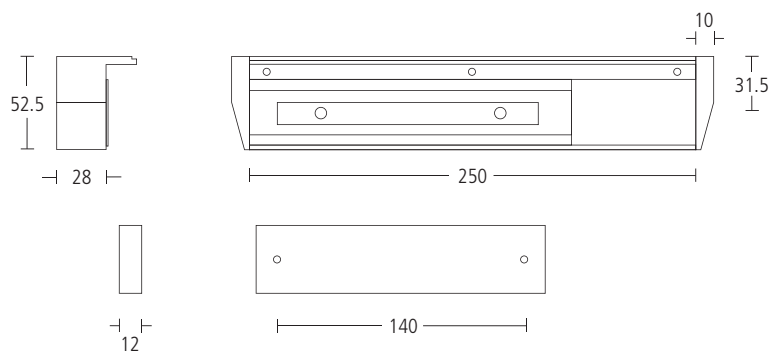


75574

Surface mounted electromagnet with armature.

- 300kg holding force
- For use in single door applications
- MBS monitored
- Dual 12/24v DC voltage
- 250mA current draw @ 12v
125mA current draw @ 24v
- For unit with integral door position switch
please specify **75574SPS**
(longer armature applies)

Finish: XX



Surface mounted electromagnets

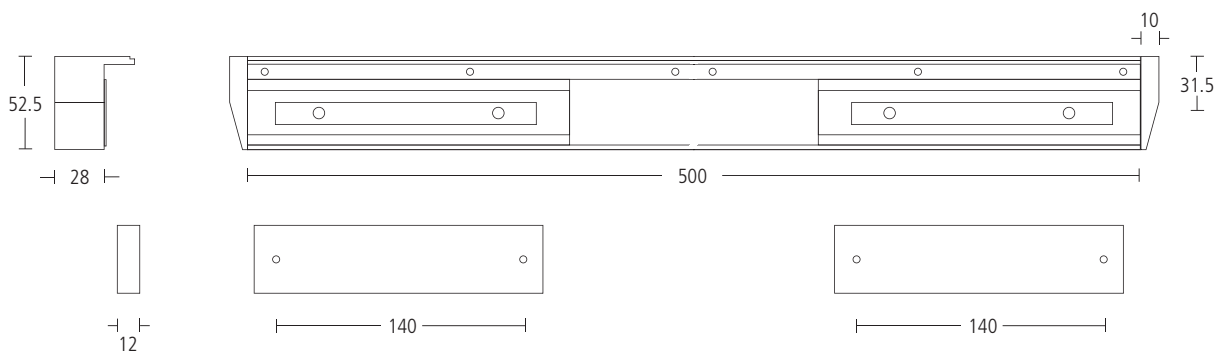


75574D

Double surface mounted electromagnet with armature.

- 300kg holding force
- For use in double door applications
- MBS monitored
- Dual 12/24v DC voltage
- 250mA current draw @ 12v
125mA current draw @ 24v
- For unit with integral door position switch
please specify **75574DPS**
(longer armature applies)

Finish: XX





overseas projects

Allgood Worldwide

297 Euston Road
London NW1 3AQ
Telephone: +44 (0)20 7255 9330
Facsimile: +44 (0)20 7383 7950
E-mail: info@allgoodww.com
Website: www.allgoodww.com

uk projects

Allgood plc

297 Euston Road
London NW1 3AQ
Telephone: 020 7387 9951
Facsimile: 020 7380 1232
E-mail: info@allgood.co.uk
Website: www.allgood.co.uk

63-83 Brearley Street
Birmingham B19 3NT
Telephone: 0121 359 4415
Facsimile: 0121 359 5832
E-mail: info@allgood.co.uk
Website: www.allgood.co.uk

28 Queen Street
Manchester M2 5HX
Telephone: 0161 834 6717
Facsimile: 0161 834 6839
E-mail: info@allgood.co.uk
Website: www.allgood.co.uk

The Wright Business Centre
1 Lonmay Road, Glasgow G33 4EL
Telephone: 0141 773 6298
Facsimile: 0141 771 9569
E-mail: info@allgood.co.uk
Website: www.allgood.co.uk